

VANDORN™**Newbury****MODEL 125***C-Frame Vertical Clamp*

Injection Unit

	Measure	5-oz.	6-oz.	9-oz.	15-oz.
Injection Capacity (GPPS)	oz. g	4.8 136	6.5 184	9.1 258	15.3 434
Injection Capacity	cu. in. ccm	8.9 146	12.0 197	16.8 276	28.3 463
Recovery Rate (GPPS)	oz./sec. g/sec	0.85 24.1	0.87 24.7	0.87 24.7	0.88 24.9
Injection Pressure	psi bar	22,347 1,540	20,898 1,440	20,898 1,440	25,000 1,720
Injection Rate (@ 10,000 psi) (@ 700 bar)	cu. in./sec. ccm/sec	8.6 141	9.2 151	9.2 151	7.7 126
Injection Stroke	in. mm	6.0 152	5.0 127	7.0 178	9.0 229
Screw Diameter	in. mm	1.38 35	1.75 44	1.75 44	2.00 51
Screw L/D Ratio		20/1 20/1	16/1 16/1	20/1 20/1	20/1 20/1
Max. Screw Speed	rpm rpm	433 433	217 217	217 217	185 185
Back Pressure Adjust	psi bar	75-300 5-21	75-300 5-21	75-300 5-21	75-300 5-21
Barrel Heating Capacity	kW kW	8.0 8.0	8.0 8.0	9.6 9.6	11.3 11.3

General Machine Specifications

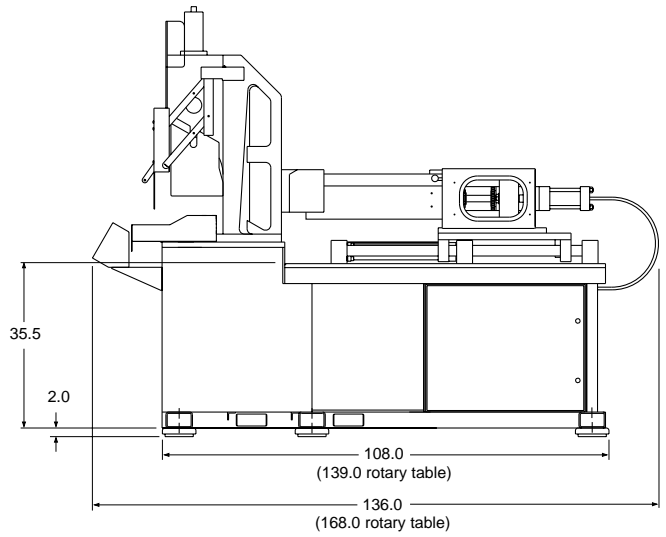
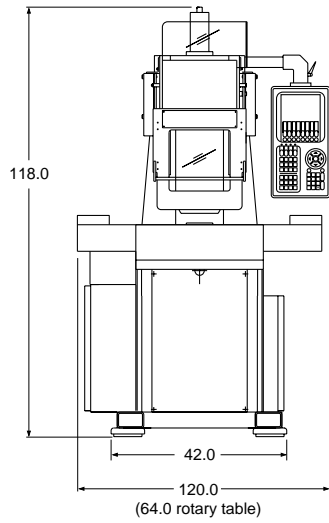
	Measure	5-oz.	6-oz.	9-oz.	15-oz.
Pump Motor	hp kW	25 19	25 19	25 19	25 19
Pump Capacity	gpm lpm	33 125	33 125	33 125	33 125
Oil Capacity	gal. L	60 227	60 227	60 227	60 227
Machine Weight (approx.)	lb. kg	16,500 7,500	16,500 7,500	16,500 7,500	16,500 7,500
Machine Dimensions					
Length	ft. m	14.0 4.3	14.0 4.3	14.0 4.3	14.0 4.3
Width	ft. m	7.0 2.1	7.0 2.1	7.0 2.1	7.0 2.1
Height	ft. m	10.0 3.0	10.0 3.0	10.0 3.0	10.0 3.0

Clamp Unit

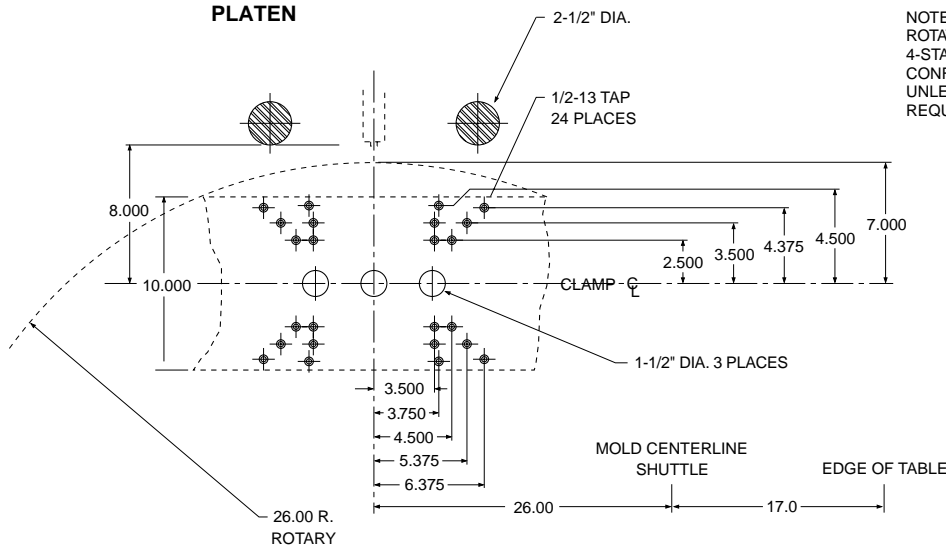
Clamp Force	U.S. tons kN	125 1,112
Clamp Stroke – Max.	in. mm	7 178
Open Daylight – Max.	in. mm	24 610
Mold Thickness		
Minimum	in. mm	9 229
Maximum	in. mm	17 449
Max. Mold Space		
Depth	in. mm	12 305
Width	in. mm	18 457
Shuttle Stroke	in. mm	26 660
Rotary Table Diameter	in. mm	52 1,321
Center Line of Injection		
Minimum	in. mm	4.5 114
Maximum	in. mm	9 229
Upper Platen Size		
Depth	in. mm	15 381
Width	in. mm	16 406
Clamp Speeds		
Closing	in./sec. mm/sec	8 203
Opening	in./sec. mm/sec	10 254

Performance specifications are based on theoretical data and mold, material and conditions. Since continuous improvement is Van Dorn Demag's policy, we reserve the right to change specifications, designs and performance data without prior notice or obligation.

The specifications listed are standard. However, Van Dorn Demag will provide engineered options and solutions to meet virtually any performance requirements including high-pressure and high-speed configurations.



**SHUTTLE / ROTARY TABLE
 PLATEN**



NOTE: CLOCKWISE
 ROTATION AND
 4-STATION
 CONFIGURATION
 UNLESS OTHERWISE
 REQUESTED

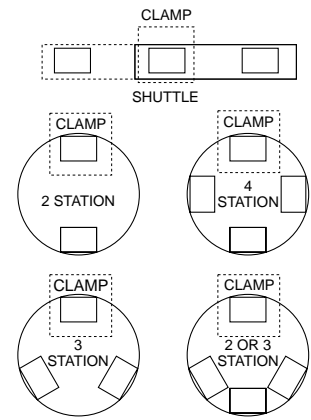


TABLE CONFIGURATION OPTIONS

**MOVABLE
 PLATEN**

