

VAN DORN®

2000 HP SERIES

Injection Unit

	Measure	260-oz.	400-oz.
Injection Capacity (GPPS)	oz.	260	400
	g	7,371	11,340
Injection Capacity	cu. in.	466.0	716.5
	ccm	7,636	11,741
Recovery Rate (GPPS)	oz./sec.	8.95	11.00
	g/sec	254	312
Injection Pressure	psi	19,800	20,100
	bar	1,365	1,386
Injection Rate (@ 10,000 psi) (@ 700 bar)	cu. in./sec.	134.0	132.5
	ccm/sec	2,196	2,171
Injection Stroke	in.	21.0	24.5
	mm	533	622
Screw Diameter	in.	5.32	6.10
	mm	135	155
Barrel L/D Ratio		20/1	20/1
		20/1	20/1
Screw Speed Range	rpm	20-170	20-140
	rpm	20-170	20-140
Back Pressure Adjust	psi	75-300	75-300
	bar	5-21	5-21

Clamp Unit

Clamp Force	U.S. tons kN	2,000 17,799
Open Force	U.S. tons kN	132 917
Clamp Stroke - Max.	in. mm	66 1,676
Open Daylight - Max. (w/o Ejector box & Ram Spacers)	in. mm	133 3,378
Mold Thickness - Min. (w/ Ejector Box & Ram Spacers)	in. mm	30 762
Ejector Box Thickness	in.	22
	mm	559
Ram Spacer Thickness	in.	15
	mm.	381
Distance Between Tie Bars		
Horizontal (Standard)	in.	52
	mm	1,321
	(Optional Extended Tie Bar Spacing)	in. mm
Vertical	in.	52
	mm	1,321
Platen Size		
Horizontal (Standard)	in.	80
	mm	2,032
	(Optional Extended Tie Bar Spacing)	in. mm
Vertical	in.	80
	mm	2,032
Tie Bar Diameter	in.	11.25
	mm	286
Clamp Speeds		
Closing	in./sec.	22
	mm/sec.	559
Opening	in./sec.	20
	mm/sec.	508
Ejector Force	U.S. tons kN	50 445
	Ejector Stroke	in.
mm		254

Extended tie bar spacing reduces minimum mold thickness and maximum open daylight by 3 1/2".

The specifications listed are standard. However, Van Dorn Demag will provide engineered options and solutions to meet virtually any performance requirements including high-pressure and high-speed configurations.

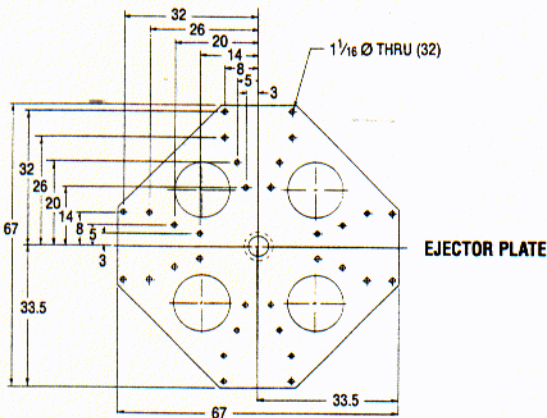
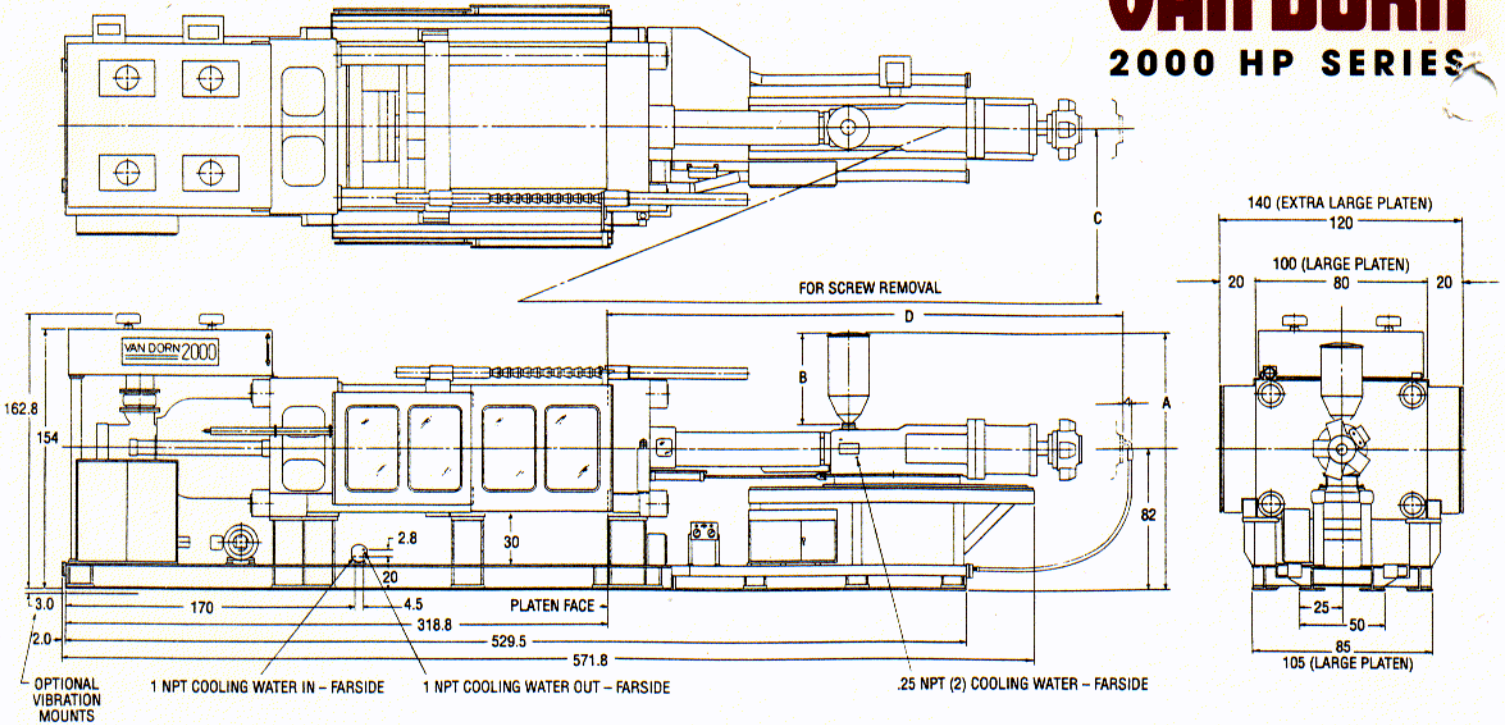
General Machine Specifications

	Measure	260-oz.	400-oz.
Pump Motor	hp	300	300
	kW	224	224
Pump Capacity	gpm	425	425
	lpm	1,609	1,609
Oil Capacity	gal.	1,400	1,400
	l	5,300	5,300
Machine Weight (approx.)	lb.	299,000	303,000
	kg	135,630	137,440
Machine Dimensions			
Length	ft.	50.6	54.6
	m	15.4	16.7
Width	ft.	10.0	10.0
	m	3.0	3.0
Height	ft.	13.6	13.6
	m	4.1	4.1
Barrel Heating Capacity	kW	86.0	114.1
	kW	86.0	114.1

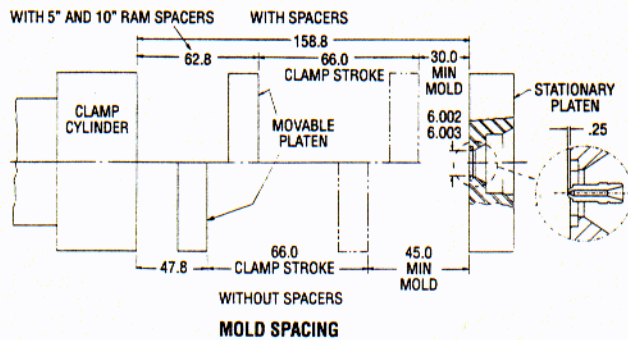
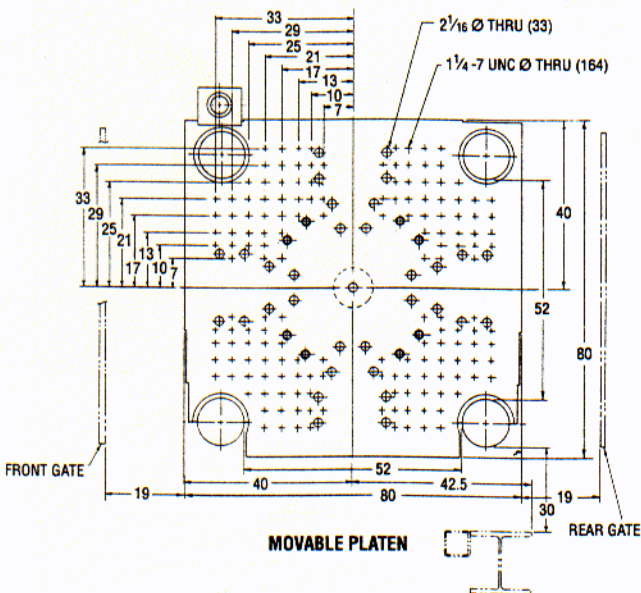
Performance specifications are based on theoretical data and mold, material and conditions. Since continuous improvement is Van Dorn Demag's policy, we reserve the right to change specifications, designs and performance data without prior notice or obligation.

VAN DORN®

2000 HP SERIES



Injection Cap. (oz.)	A	B	C		D
			Standard	Large Platen	
STANDARD BARREL					
125F	123	33.5	82	90	209
165F	141	48.0	90	98	245
260F	142	48.0	104	110	287
400F	145	48.0	108	114	—
VENTED BARREL					
125F	123	33.5	82	90	267
165F	141	48.0	90	98	302
260F	142	48.0	104	110	348
400F	145	48.0	108	114	—



VAN DORN DEMAG®

Van Dorn Demag Corporation
 11792 Alameda Drive
 Strongsville, Ohio 44136
 Telephone (216) 238-8960
 FAX (216) 238-3047
 Internet <http://vandorn.com>