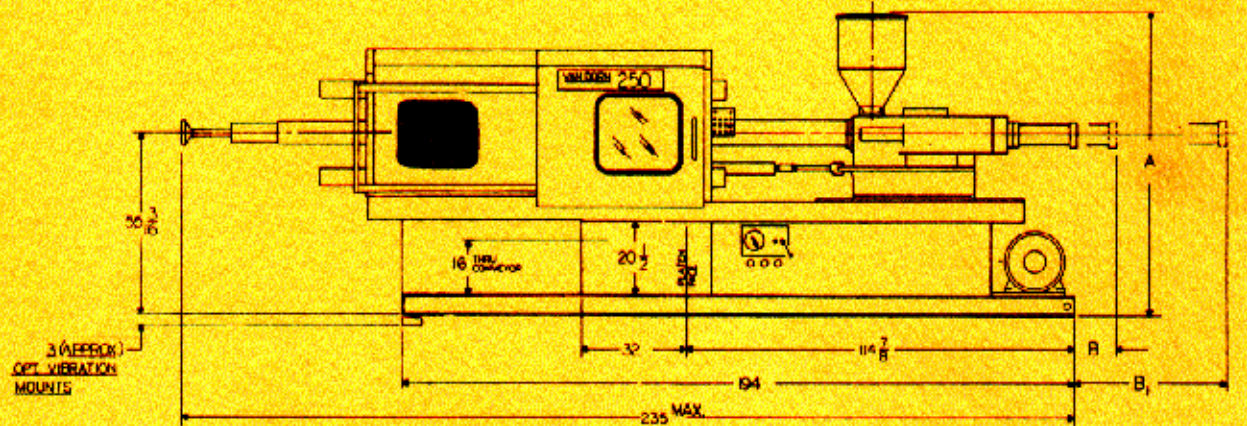
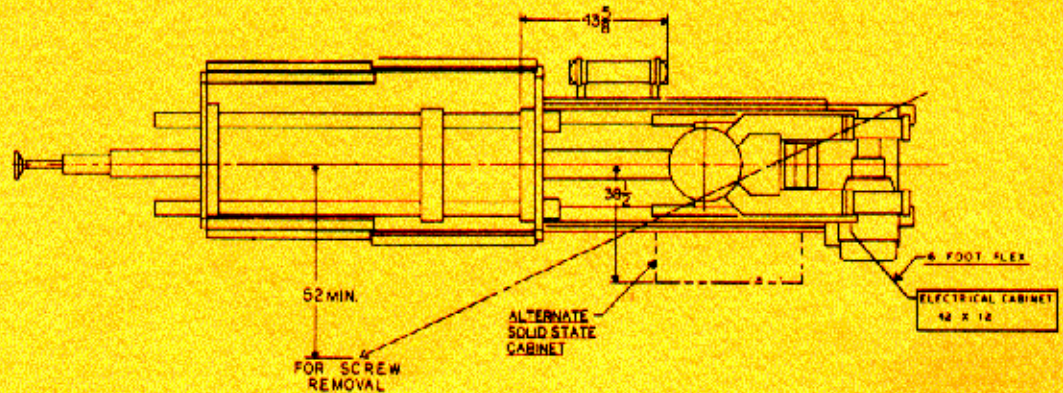
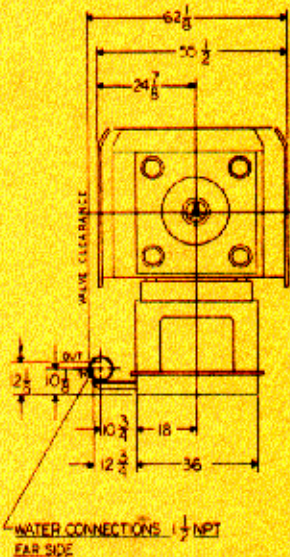


VAN DORN

TOGGLE CLAMP

250-RS-14/20/30/35F

MACHINE	STD. BARREL			VENTED BARREL
	A	B	B ₁	
250 RS-14F	9.7	—	4.5	
250 RS-20F	9.7	—	2.8	
250 RS-30F	9.7 ³ / ₁₆	12 ¹ / ₂	4.8 ³ / ₄	
250 RS-35F	9.7 ³ / ₁₆	15	3.5	



Injection Unit

	14F	20F	30F	35F
Inject Capacity—Calculated (cu. in.)	25.9	37.6	55.3	65.2
Inject Capacity—G.P. Polystyrene (Oz.)*	14	20	30	35
Recovery Rate—G.P. PS (oz./sec.)†	1.20	2.00	2.20	2.45
Injection Pressure—Max. (p.s.i.)	19,800	19,900	19,800	17,500
Inject Rate—at 10,000 p.s.i. (cu. in./sec.)	24.5	24.5	24.5	27.5
Inject Stroke (in.)	8.50	9.50	10.75	11.25
Screw Diameter (in.)	1.97	2.24	2.56	2.72
Barrel L/D Ratio	20:1	20:1	20:1	20:1
Screw Speed Range (R.P.M.)	30-250††	30-300††	30-235	30-235
Back Press. Adjust (screw rotating—p.s.i.)	75-300	75-300	75-300	75-300

General Specifications

	50	50	50	50
Pump Motor—Hydraulic System (HP)	50	50	50	50
System Pressure (p.s.i.)	2000	2000	2000	2000
Total Heating Wattage (KW)	12.7	13.9	13.9	16.3
Number of Heat Control Zones	4	4	4	4
Comb. Pump Capacity (G.P.M. @ 100 p.s.i.)	68	68	68	68
Oil Capacity (Gal.)	170	170	170	170
Hopper Capacity (Lb.)	145	145	145	145
Machine Weight (Lb. approx.)	23,500	23,700	23,900	24,200
Machine Dimensions—Length (ft.)	19.6	19.6	20.7	20.9
—Width (ft.)	5.0	5.0	5.0	5.0
—Height (ft.)	8.1	8.1	8.1	8.1

Clamping Unit

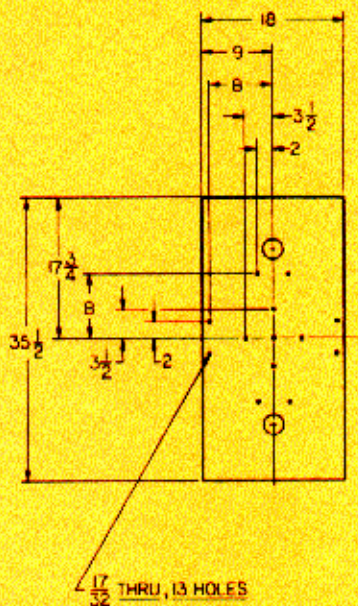
Clamp Force (tons)	250
Clamp Stroke—Adjustable (in.)	8-19
Open Daylight—Max. (in.)	42
Mold Thickness—Min./Max. (in.)	8-23
Platen Size—Std.—HxV (in.)	33 x 36
Dist. Between Rods—Std. HxV (in.)	22 x 22
Tie Rod Diameter (in.)	4
Clamp Speeds:	
Closing (in./sec.)	34
Opening (in./sec.)	47
Ejector Force	5
Ejector Stroke (in.)	4

*Dependent upon mold, material and conditions.

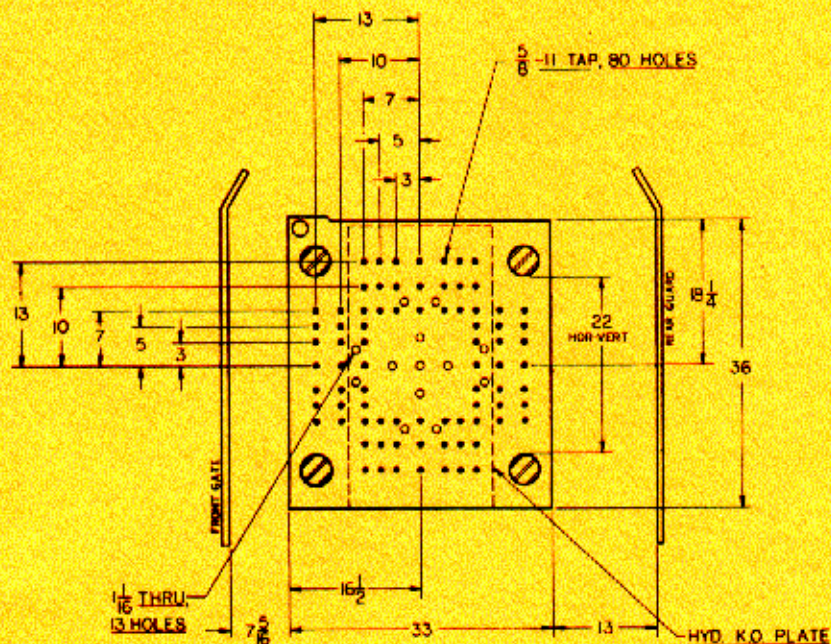
†Average value based on S.P.I. test procedures.

††Higher torque motor available with lower R.P.M. and recovery rate.

Since continuous improvement is Van Dorn's policy, we reserve the right to change specifications, designs and performance data without prior notice or obligation.



HYD. K.O. PLATE



MOVABLE PLATEN

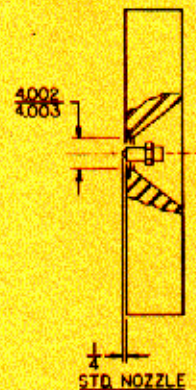
250-RS-14/20/30/35F

Van Dorn's fluid drive, or F-series, toggle clamp machines feature hydraulically driven screws that generate high-quality homogeneous melts at high rates. Stable screw speeds and precise, infinitely variable back pressure control are features contributing to outstanding molding output.

Add faster set-ups, improved molding speeds and minimal maintenance and you have the injection molding capability molders identify with the name, Van Dorn.

STANDARD FEATURES

- Large part removal clearance
- Purge guard with interlock
- Swing-away material hopper
- Integral-base drip pan
- Full-floating hardened toggle pins
- Automatic oil lubrication.



STATIONARY PLATEN

VAN DORN[®]
Committed to the future of plastics

VAN DORN PLASTIC MACHINERY CO., / A Division of Van Dorn Company

11792 Alameda Dr. • Strongsville, Ohio 44136 • Write: P.O. Box 8849 • Strongsville, Ohio 44136 • Telephone: (216) 238-8960